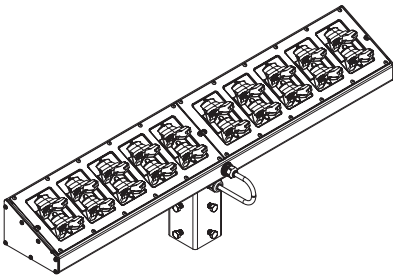


Specification Sheet: ecovista G² Mounting Hardware

The Energy Efficient LED Mounting Solution

The energy-efficient ecovista™ G² LED lighting system is now available with wall and ground mounting options from Revolution Lighting's Lumificient division. Ecovista G² provides focused light projection with superior even light distribution for wall wash applications.

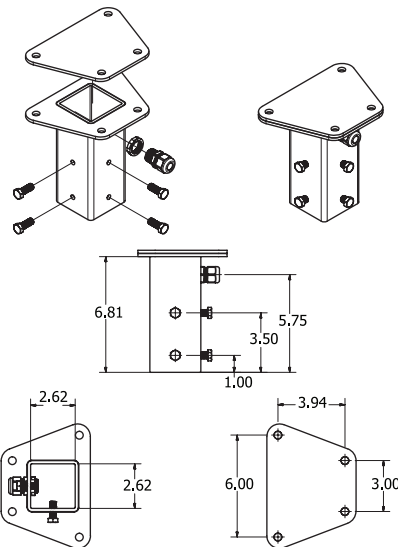
Ground Mount Assembly



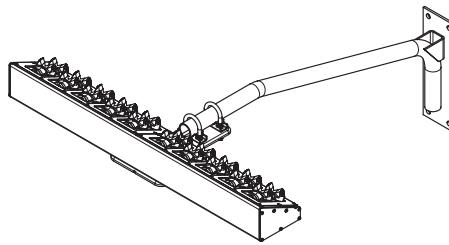
PRODUCT HIGHLIGHTS

- Designed to slip over and secure to 2" schedule 40 pipe (not included)
- Mounts directly to ecovista G2
- Rugged polyester powder coat finish
- Kit includes liquid tight cord grip to provide seal around cord, custom-made gasket, and mounting hardware

MOUNTING DIAGRAMS (All dimensions in inches)



Wall Mount Assembly

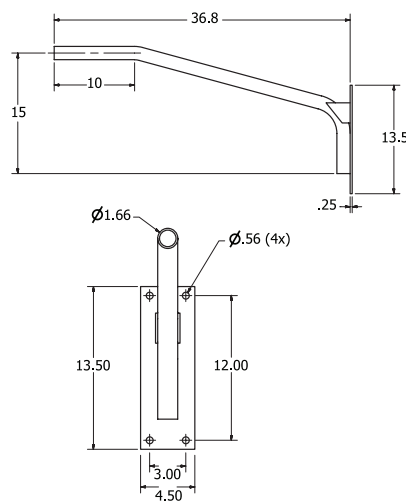


PRODUCT HIGHLIGHTS

- Made from 1 1/4" schedule 40 pipe
- Designed for use with standard ecovista G2 mounting plate and U-bolt hardware
- Rugged polyester powder coat finish
- Mounting plate hole spacing: 3" x 12" with 9/16" diameter holes*

*Mounting hardware to wall not included

MOUNTING DIAGRAMS (All dimensions in inches)



WARRANTY



Our Industry-Leading 7-Year Limited Warranty Guarantees Unsurpassed Quality

