

Installation Instructions: Ecovista™ G² LED Lighting System

WARNINGS:

- Make sure that all power is turned off while installing fixture.
- Do not turn power on until fixture is completely installed.
- Turn power off at circuit breaker box.
- Do not handle an energized fixture or energize any fixture when hands are wet or when standing on a wet or damp surface, or in water.

This LED fixture is a highly advanced, energy efficient product that will provide the end user with years of dependable service. It will do so only if installed properly in accordance with the national electric code and/or local code specifications. Failure to adhere to these codes and restrictions may result in serious injury, damage to adjacent equipment, fixture and or power supply and will void the warranty.

The installation instructions do not support all details or variations in equipment, nor do they provide for all possible contingencies related to the installation, service or mounting situation. Should specific problems occur that are not covered by the attached installation instructions, please contact your sales representative or distributor for assistance.

Retain these installation instructions for future use. Do not modify this lighting device for any reason. These devices have been designed for maximum performance and ease of installation, any modifications will void the warranty.

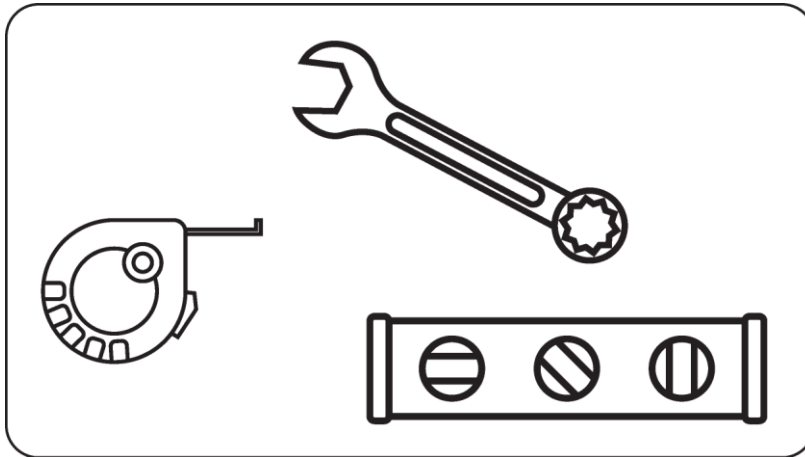


The Luminaire shall be installed in accordance with these installation instructions or the warranty will be voided.

- There are no user serviceable components within this product.
- Opening the fixture will void the warranty.
- Proper grounding of the fixture is essential to prevent risk of shock, to maintain correct operation and to eliminate electrical interference.
- It is the responsibility of the installer to ensure these directions are followed, structure is adequate, and the fixture is not modified.

TOOLS REQUIRED:

- 9/16" Wrench or Socket
- Tape Measure
- Level



MATERIALS REQUIRED:

- (2) 5' lengths of 1-1/4" round, or 1-1/2" square conduit
- (4) U-Bolts for 1-1/4" round, or 1-1/2" square conduit

1. Remove the previous light fixture(s) and dispose of properly. Make certain that any existing hardware that is to be reused is adequate and secured properly to support the new fixtures. The conduits need to be tight and must not be able to twist in place.
2. Standard Billboard (14' x 48') mounting: Position the Round or Square conduit underneath the crosswalk of the Billboard as shown in Figure 1 and secure with U-Bolts firmly to ensure they will support the weight of the fixture. Each pipe should be 9' from the center of the Billboard, 3' down from the bottom of the Billboard, and a distance of 5' from the face of the Billboard. If existing hardware is reused you may need to relocate or replace components for proper alignment.

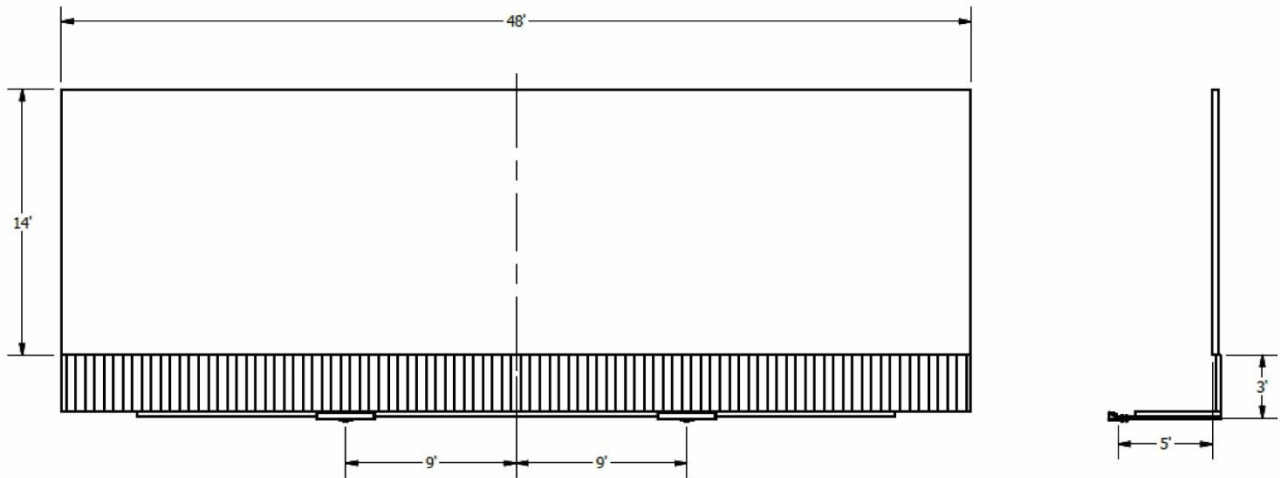


Figure 1

3. Now that the conduit is in position, attached the supplied fixture plate onto the conduit as shown in Figure 2.



Figure 2

4. It is important to position the bracket so that Pipe Clamp Bracket is approximately 5/8" to the end of the pipe. Doing this will avoid collision of the cord grip on the fixture and the end of the pipe. See Figure 3.

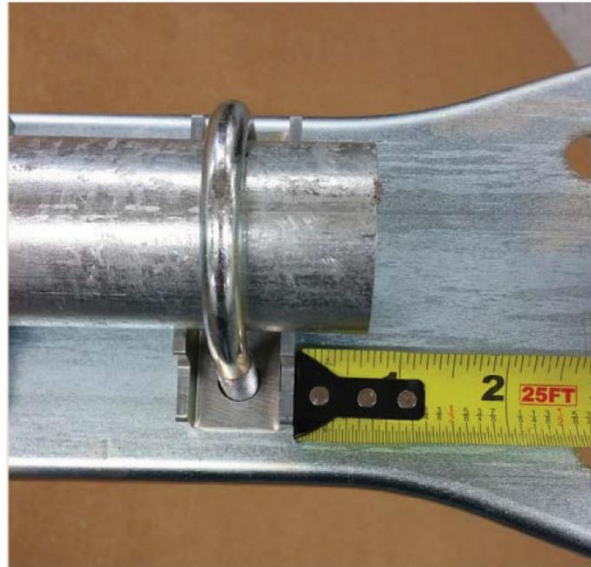


Figure 3

5. Level the Bracket prior to tightening the U-Bolts securely as shown in Figure 4. Use the Washers and nuts supplied with the U-Bolts on the backside.

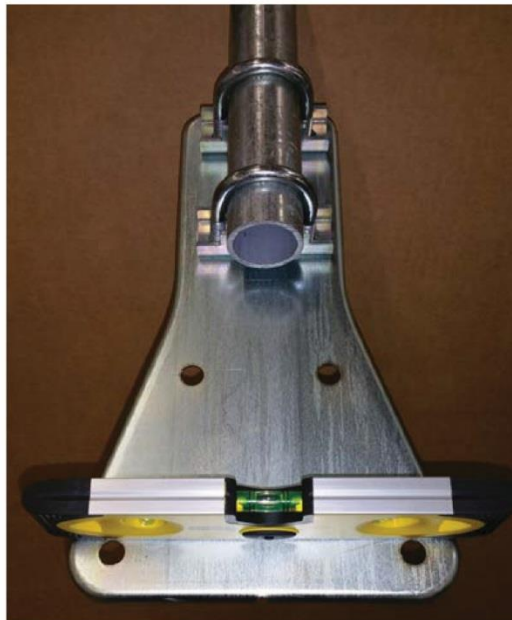


Figure 4

6. Feed the Power Cord into the center of the pipe and out the other end in preparation for wire connections. Line the fixture up with the hole pattern on the Pipe Clamp Bracket and secure firmly using the washers and bolts provided. Ensure the fixture is still level and adjust as necessary. Confirm all fasteners are secure and the fixture is unable to twist on the conduit.



Figure 5

ELECTRICAL CONNECTIONS



WARNINGS:

- Make sure that all power is turned off while installing fixture.
- Do not turn power on until fixture is completely installed.
- Turn power off at circuit breaker box.
- Do not handle an energized fixture or energize any fixture when hands are wet or when standing on a wet or damp surface, or in water.

120-277VAC STANDARD FIXTURE WIRING

