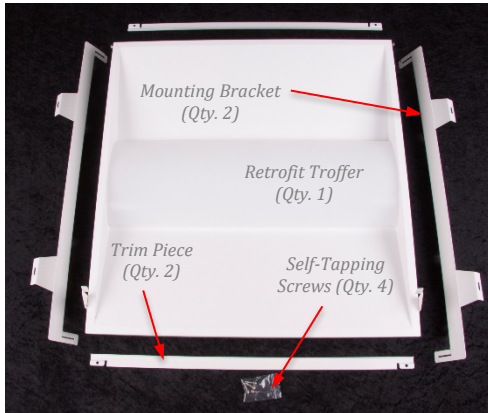


Installation Instructions: LED Troffer Retrofit Kit



2' x 2' LED Troffer Retrofit Kit Example

Key Features

- Interior luminaire applications
- Convenient retrofit installation into existing troffer housing
- No mercury or UV
- Long 50,000-hour life
- Instant on/off

Installation Notes & Precautions

- *Read all precautions, warnings, instructions contained in this document.*
- These instructions apply to both 2' x 2' and 2' x 4' troffers.
- Installation should be performed by a qualified electrician or installer.
- Operating voltages: 120VAC to 277VAC
- This light source is not intended as an emergency exit fixture or light.
- Operating temperature range: -4 °F to 104 °F

Warnings



WARNING – Risk of fire or electric shock. Do not alter, relocate, or remove wiring, or any other electrical component. If necessary, contact a qualified electrician for assistance.



WARNING – Always disconnect power for your safety when performing the luminaire modification steps below! In some cases, it may be necessary to test the power feed with the power connected. Only connect the power when doing the testing, then disconnect the power from the luminaire when performing the steps below.



WARNING – Always follow local and regional NEMA Electrical codes. NEMA codes provide information on proper procedures, safety guidelines, proper tools, connection methods, and specifications on materials.



WARNING – Revolution Lighting Technologies, Inc. cannot and will not be liable for any modifications or results of modifications to electrical devices or luminaires. These instructions are provided as a reference. By using the included instructions, you are solely responsible for following all applicable electrical safety procedures, codes, methods, and materials. If you are unsure about any electrical modification or installation, please consult a licensed electrician or electrical contractor in your area.

Contents

Carefully open the box and check contents. Contact Revolution Lighting if any items are missing.		
Qty. 1	2' x 2' or 2' x 4' LED Troffer Retrofit Kit with Included Mounting Hardware [SKU #: (as ordered)]	2' x 2' or 2' x 4' LED Troffer Retrofit Kit with Included Hardware

LED Troffer Retrofit Kit Installation Instructions

STEP 1



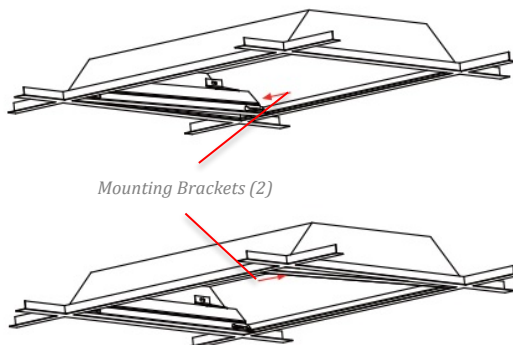
- Disconnect power to installation site.
WARNING: Ensure that all power is off using a voltmeter or other method.

STEP 2



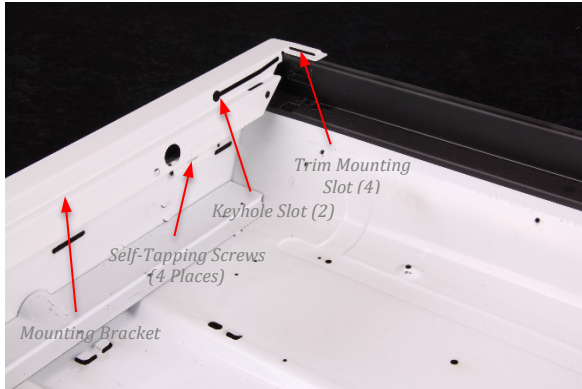
- Remove fluorescent tubes and anything in the existing troffer housing that might interfere with installation of the LED Troffer Retrofit Kit.
NOTE: Preserve AC wire connections from the incoming mains.
- Dispose of fluorescent lamps, etc. per job/company site rules and regulations.

STEP 3



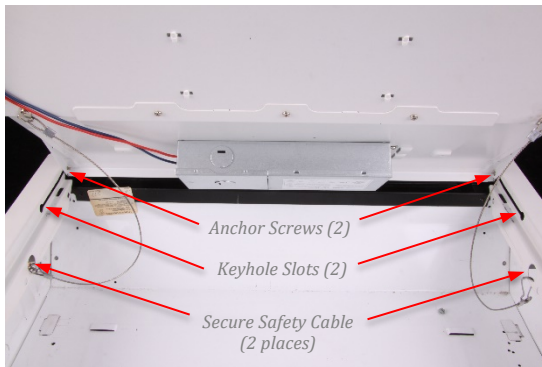
- Take each of the kit's two included Mounting Brackets which feature keyhole slots and mounting tabs and place them inside the existing troffer on opposite sides where shown, sliding the flat trim side of each bracket between the housing and the T-bar grid.
- Position the pre-drilled mounting tabs of the brackets flat against the inside walls of the troffer housing, with the narrow trim sides of the brackets overlapping the edges of the housing walls.

STEP 4



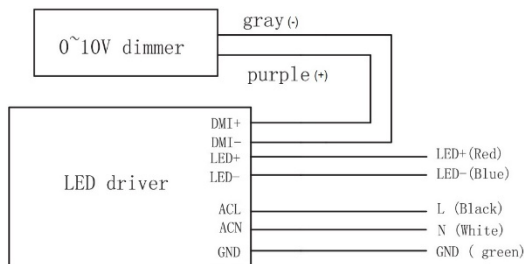
- Using the included Self-Tapping Screws, secure each of the two Mounting Brackets to the metal sides of the existing troffer housing where indicated in the adjacent image (4 places).
- Use the Trim Mounting Slots at the ends of the two Mounting Brackets to secure the two Trim Pieces in place.

STEP 5



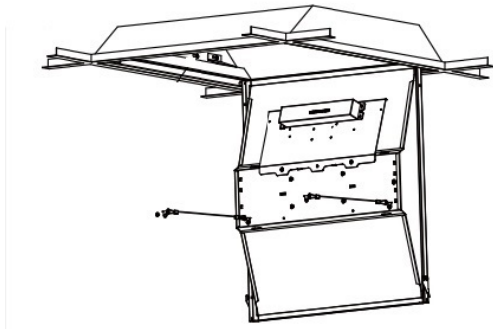
- Hang the LED Retrofit Troffer from the existing troffer housing by inserting each of the two (2) small anchor screws protruding from opposite corners of the Retrofit Troffer into the keyhole slots of the Mounting Brackets installed in Steps 3 & 4.
- Adjust the length of the protruding anchor screws if necessary (using a screwdriver) until they are securely seated in the keyhole slots of both Mounting Brackets but the Retrofit Troffer can still slide freely in the slots.
- Secure safety cable clips to Mounting Brackets where shown.

STEP 6



- Open the access door of the driver wiring compartment and splice the incoming hot (black), neutral (white), and ground (green) wires from the mains to the corresponding hot, neutral, and ground wires of the LED driver using the appropriate wire nuts.
CAUTION: Wire colors can vary.
- If applicable, connect the incoming gray (-) and purple (+) 0-10V dimming control wires to the corresponding 0-10V dimming wires of the LED driver using Wego clips or appropriate wire nuts.
CAUTION: 0-10V dimming control wires should pass through a different knockout than the AC input wires.
- Re-secure access door to wiring compartment.

STEP 7



- Lift up the free end of the LED Retrofit Troffer until it is almost flush with the ceiling, sliding the Retrofit Troffer along the keyhole slots of the Mounting Brackets if needed for best fit.
- Lift up the two (2) thumb latches at the corners of the free end.
- Seat the Retrofit Troffer flush with the Mounting Brackets.
- Push the thumb latches back in place to lock the Retrofit Troffer to the Mounting Brackets.

STEP 8



- Switch power back on.