

Specification Sheet: Multipurpose Motion & Daylight Sensors

The LED Motion & Daylight Sensor Solution

Lighting controls can cut energy costs and limit light pollution in applications from commercial facilities to warehouses to gymnasiums. Revolution Lighting's Multipurpose Motion & Daylight Sensors bring increased energy efficiency to the workspace, improving the return on your lighting investment.

Specifically designed to provide quality passive lighting controls to a wide array of Revolution Lighting products, these advanced sensors can perform multilevel dimming, true on/off functionality, and daylight sensing. The sensors work with 0-10V dimmable fixtures, providing even higher energy savings. These IP65-rated sensors come in one of four different mounting options, depending on the application. When combined with a 50,000-hour rated life, your long-term operational and maintenance costs will be significantly reduced. The sensors are powered with 120-277VAC.

GENERAL SPECIFICATIONS

- 120-277VAC input voltage
- Adjustable motion detection
- Adjustable daylight sensing
- Adjustable 0-10V dimming levels
- Adjustable standby and hold periods
- Four mounting options: clip-on, ¾" knock-out, surface mount, and adjustable angle mount

PRODUCT BENEFITS

- User adjustable for detection area, hold time, standby period, standby dimming level, and daylight levels
- Both motion detection and daylight sensing
- 0-10V dimming control signal
- Full on/off functionality
- Multistep dimming capability
- IP65 ingress protection
- 50,000-hour rated lifetime
- Very low maintenance
- Can cut energy usage by more than 50%, even with currently-installed LED fixtures
- ETL-listed for safety

WARRANTY



Our Industry-Leading 5-Year Limited Warranty Guarantees Unsurpassed Quality

TECHNICAL DATA (Subject to change.)

Product SKU No.	Input Voltage (VAC)	Mounting	Max Load	Sensor Type	Control Signal	Rated Life (Hours)	Operating Temp (°F)
Multipurpose Motion & Daylight Sensor							
121000-C00	120-277	Clip-On	400W (120-220VAC) 800W (220-277VAC)	Microwave (Motion) Photocell (Daylight)	0-10VDC	50,000	-31 to 140
121000-C01	120-277	¾" Knockout	400W (120-220VAC) 800W (220-277VAC)	Microwave (Motion) Photocell (Daylight)	0-10VDC	50,000	-31 to 140
121000-C02	120-277	Surface	400W (120-220VAC) 800W (220-277VAC)	Microwave (Motion) Photocell (Daylight)	0-10VDC	50,000	-31 to 140
121000-C03	120-277	Adjustable Angle	400W (120-220VAC) 800W (220-277VAC)	Microwave (Motion) Photocell (Daylight)	0-10VDC	50,000	-31 to 140



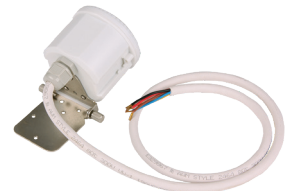
SKU #121000-C00



SKU #121000-C01



SKU #121000-C02



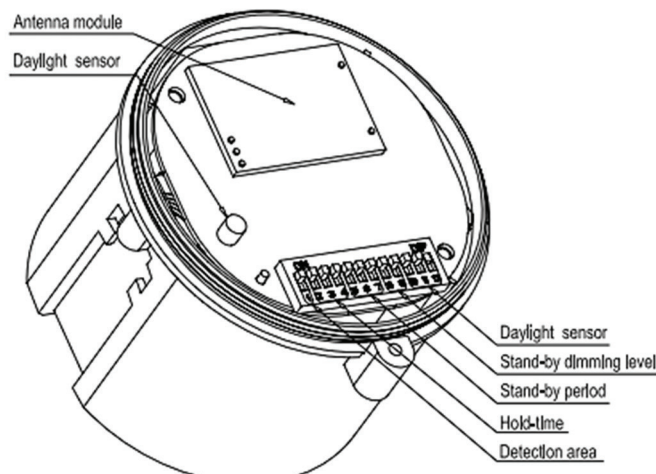
SKU #121000-C03



Specification Sheet: Multipurpose Motion & Daylight Sensors

SETTINGS

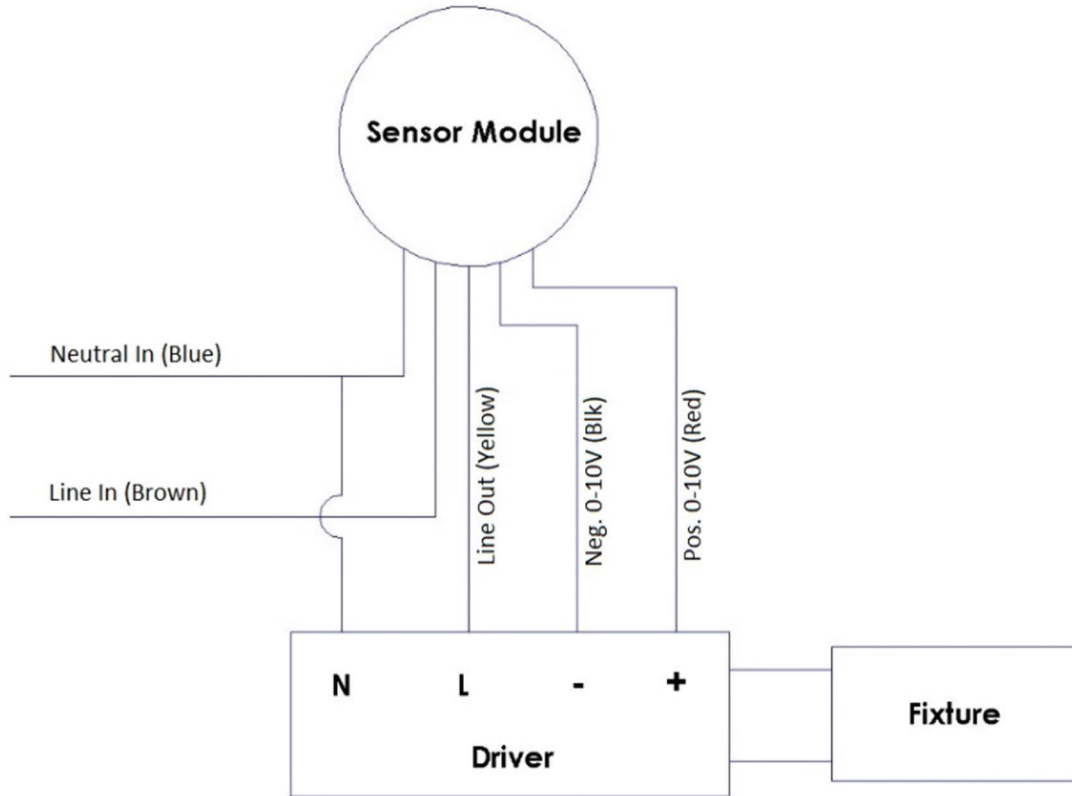
Detection Area			Hold Time				Standby Period				Standby Dimming Level			Daylight Sensor								
Mode	Dipswitch	Value	Mode	Dipswitch			Value	Mode	Dipswitch			Value	Mode	Dipswitch			Value					
	1			2	3	4		5	6	7		8	9		10	11	12					
I	On	100%	I	On	On	On	5 s	I	On	On	On	-	I	On	On	On		I	On	On	On	Disable
II	Off	50%	II	Off	On	On	30 s	II	Off	On	On	60 min	II	Off	On			II	Off	On	Off	200 lux
			III	On	Off	On	90 s	III	On	Off	On	30 min	III	On	Off			III	On	Off	Off	100 lux
			IV	Off	Off	On	3 min	IV	Off	Off	On	10 min	IV	Off	Off			IV	Off	Off	Off	50 lux
			V	On	On	Off	20 min	V	On	On	Off	5 min										
			VI	Off	Off	Off	30 min	VI	Off	Off	Off	5 s										



Internal Arrangement of Sensors & Controls (Lens Removed)

Specification Sheet: Multipurpose Motion & Daylight Sensors

WIRING DIAGRAM



PHYSICAL DATA

Product SKU No.	Product Dimensions (in.)	Product Weight (lb)
Multipurpose Motion & Daylight Sensor		
121000-C00	2.38H x 2.75 Dia. (Plus Cable Gland & Clip)	0.46
121000-C01	2.38H x 2.75 Dia. (Plus Cable Gland & Clip)	0.46
121000-C02	2.38H x 2.75 Dia. (Plus Cable Gland & Clip)	0.46
121000-C03	2.38H x 2.75 Dia. (Plus Cable Gland & Clip)	0.46