

Specification Sheet: R-Lite Power Supplies

Show Customers You Care

Our state-of-the-art, American made, 8VAC power supplies are dimmable and designed specifically for our R-Lite and R-Lite HO systems.

They provide superior energy efficiency and reliability compared to similar products. We provide custom connectors from power supply to product for easy and quick installation.

PRODUCT FEATURES

- For use with R-Lite and R-Lite High Output LEDs
- Rated for dry/damp environments
- Meets UL 879, 5085 safety approvals
- 4,000V HI-POT (primary to secondary)
- Regulation: <7%
- Unmatched reliability
- Superior energy savings
- Commercial and residential applications

WARRANTY



Our Industry-Leading 7-Year Limited Warranty Guarantees Unsurpassed Quality

R-LITE HO POWER SUPPLY TECHNICAL DATA (Subject to change)

Part No.	INPUT		OUTPUT			2 Mod/Ft	2 Mod/Ft	3 Mod/Ft	3 Mod/Ft	4 Mod/Ft	4 Mod/Ft
	Voltage (Hz)	Current (A)	Voltage (Full Load)	Max Current (A)	Output Terminals	Min. Load per Power Supply LFT./Modules (Per Terminal)	Max. Load per Power Supply LFT./Modules (Per Terminal)	Min. Load per Power Supply LFT./Modules (Per Terminal)	Max. Load per Power Supply LFT./Modules (Per Terminal)	Min. Load per Power Supply LFT./Modules (Per Terminal)	Max. Load per Power Supply LFT./Modules (Per Terminal)
R-Lite High Output											
HRL-07-PFC-24	120VAC (60Hz)	0.2	8.0 VAC Nom.	3.0	1	No Minimum	7 LFT. / 14 Modules	No Minimum	5 LFT. / 15 Modules	No Minimum	3 LFT. / 12 Modules
	120VAC (60Hz)	0.3	8.0 VAC Nom.	4.0	1	3 LFT. /6 Modules	12 LFT. Total/ 24 Modules	2 LFT. /6 Modules	8 LFT. Total/ 24 Modules	1.5 LFT. / 6 Modules	6 LFT. Total/ 24 Modules
HRL-PSSQ-25 (Self-Contained)	230VAC (60Hz)	0.15	8.0 VAC Nom.	4.0	1	3 LFT. /6 Modules	12 LFT. Total/ 24 Modules	2 LFT. /6 Modules	8 LFT. Total/ 24 Modules	1.5 LFT. / 6 Modules	6 LFT. Total/ 24 Modules
	240VAC (60Hz)	0.15	8.0 VAC Nom.	4.0	1	3 LFT. /6 Modules	12 LFT. Total/ 24 Modules	2 LFT. /6 Modules	8 LFT. Total/ 24 Modules	1.5 LFT. / 6 Modules	6 LFT. Total/ 24 Modules
HRL-PS96-70 (2 Output Terminals)	120VAC (50/60Hz)	0.6	8.0 VAC Nom.	5A/ Terminal	2	10 LFT. Total / 20 Modules (5 LFT./10 Mod per terminal)	34 LFT. Total / 68 Modules (17 LFT./ 34 Mod per terminal)	7 LFT. Total / 20 Modules (3.5 LFT./ 10 Mod per terminal)	22 LFT. Total / 66 Modules (11 LFT./ 33 Mod per terminal)	5 LFT. Total / 20 Modules (2.5 LFT./ 10 Mod per terminal)	16 LFT. Total / 64 Modules (8 LFT./ 32 Mod per terminal)
	240VAC (50/60Hz)	0.3	8.0 VAC Nom.	5A/ Terminal	2	10 LFT. Total / 20 Modules (5 LFT./10 Mod per terminal)	34 LFT. Total / 68 Modules (17 LFT./ 34 Mod per terminal)	7 LFT. Total / 20 Modules (3.5 LFT./ 10 Mod per terminal)	22 LFT. Total / 66 Modules (11 LFT./ 33 Mod per terminal)	5 LFT. Total / 20 Modules (2.5 LFT./ 10 Mod per terminal)	16 LFT. Total / 64 Modules (8 LFT./ 32 Mod per terminal)
HRL-PS277-70 (2 Output Terminals)	277V (50/60Hz)	0.3	8.0 VAC Nom.	5A/ Terminal	2	10 LFT. Total / 20 Modules (5 LFT./10 Mod per terminal)	34 LFT. Total / 68 Modules (17 LFT./ 34 Mod per terminal)	7 LFT. Total / 20 Modules (3.5 LFT./ 10 Mod per terminal)	22 LFT. Total / 66 Modules (11 LFT./ 33 Mod per terminal)	5 LFT. Total / 20 Modules (2.5 LFT./ 10 Mod per terminal)	16 LFT. Total / 64 Modules (8 LFT./ 32 Mod per terminal)

Specification Sheet: R-Lite Power Supplies

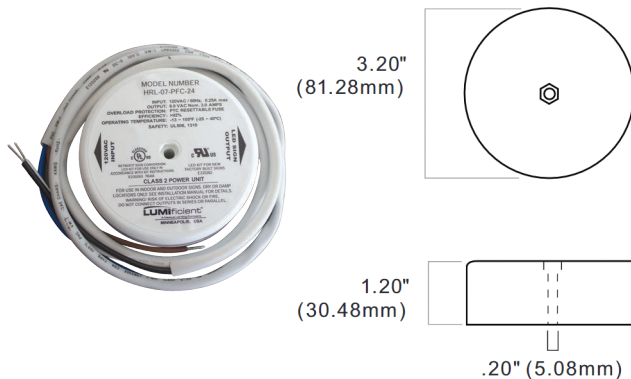
R-LITE POWER SUPPLY TECHNICAL DATA (Subject to change)

Part No.	INPUT		Voltage (Full Load)	OUTPUT		Min. Load per Power Supply (Per Terminal)	Max. Load per Power Supply (Per Terminal)
	Voltage (Hz)	Current (A)		Max Current (A)	Output Terminals		
R-Lite							
HRL-07-PFC-24	120VAC (60Hz)	0.2	8.0 VAC Nom.	3.0	1	No Minimum	15 Linear Feet
HRL-PSSQ-25 (Self-Contained)	120VAC (60Hz)	0.3	8.0 VAC Nom.	4.0	1	5 Linear Feet	25 Linear Feet
	230VAC (50/60Hz)	0.15	8.0 VAC Nom.	4.0	1	5 Linear Feet	25 Linear Feet
HRL-PS96-70 (2 Output Terminals)	240VAC (50/60Hz)	0.15	8.0 VAC Nom.	4.0	1	5 Linear Feet	25 Linear Feet
	120VAC (50/60Hz)	0.6	8.0 VAC Nom.	5A/Terminal	2	20 Linear Feet (10 LFT./terminal)	70 Linear Feet (35LFT./terminal)
HRL-PS277-70 (2 Output Terminals)	240VAC (50/60Hz)	0.3	8.0 VAC Nom.	5A/Terminal	2	20 Linear Feet (10 LFT./terminal)	70 Linear Feet (35LFT./terminal)
	277V (50/60Hz)	0.3	8.0 VAC Nom.	5A/Terminal	2	20 Linear Feet (10 LFT./terminal)	70 Linear Feet (35LFT./terminal)

DIAGRAMS & SPECIFICATIONS

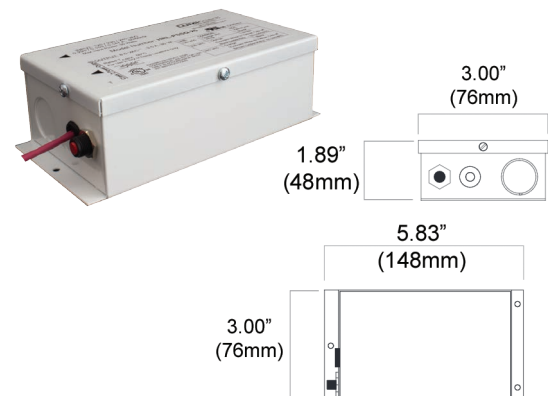
HRL-07-PFC-24

Efficiency	>86%
Input Termination	Pair of 24" - 18AWG wire leads (Black - White)
Output Termination	Pair of 24" - 18AWG wire leads (Blue - Brown)
Overcurrent Protection	3.0A Auto Resettable PTC Fuse
Transformer Insulation	Class A
Operating Temperature	-40 °F to 122 °F (-40 °C to 50 °C)
Enclosure Requirements	See installation manual
Enclosure Flammability Rating	UL94 V
Safety Approvals	UL506,1310
Weight (lb)	1.4



HRL-PSSQ-25

Efficiency	>86%
Input Termination	Pair of 8" - 18AWG wire leads (Black - White)
Output Termination	Pair of 8" - 18AWG wire leads (Red - Red)
Overcurrent Protection	4.0A Magnetic Breaker
Transformer Insulation	Class B (266 °F / 130 °C)
Operating Temperature	-40 °F to 122 °F (-40 °C to 50 °C)
Weight (lb)	2.0

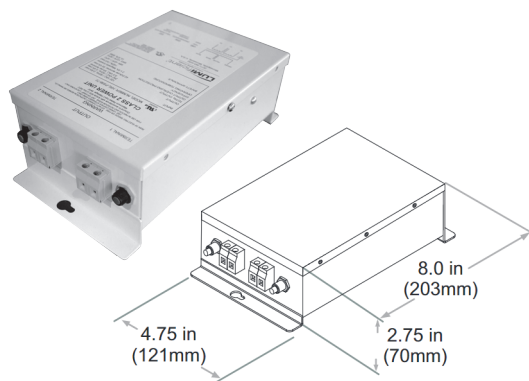


Specification Sheet: R-Lite Power Supplies

DIAGRAMS & SPECIFICATIONS (CONT...)

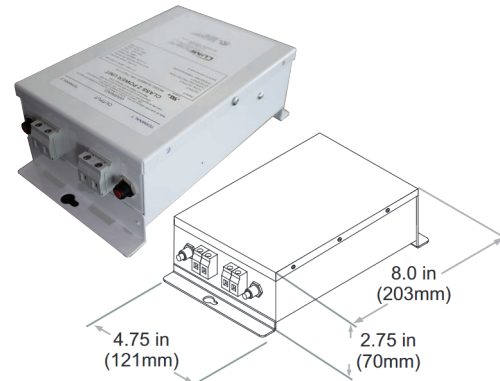
HRL-PS96-70

Efficiency	>90%
Input Termination	Five 10" - 18AWG wire leads Cutout for 1/2" conduit fitting
Output Termination	Screw terminals, 10 - 12AWG wire leads
Overcurrent Protection	5.0A Magnetic Breaker
Transformer Insulation	Class B (266 °F / 130 °C)
Operating Temperature	-40 °F to 122 °F (-40 °C to 50 °C)
Weight (lb)	4.6



HRL-PS277-70

Efficiency	>90%
Input Termination	Three 8" - 18AWG wire leads Cutout for 1/2" conduit fitting
Output Termination	Screw terminals, 10 - 12AWG wire leads
Overcurrent Protection	5.0A Magnetic Breaker
Transformer Insulation	Class B (266 °F / 130 °C)
Operating Temperature	-40 °F to 122 °F (-40 °C to 50 °C)
Weight (lb)	4.6



COMPONENTS

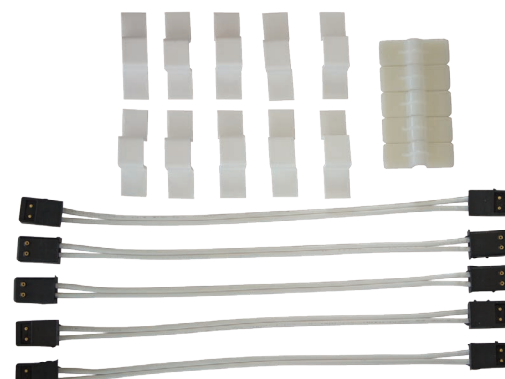
HRL-HC Power Connector Kit

- 5 4-foot Connectors
- Includes IDC connectors, connector clips and wire clamps



HRL-JC Jumper Connector Kit

- 5 8-inch Jumpers
- Includes connector clips and wire clamps



LUMiefficient™





For More Information
Visit rvlti.com or call 1-844-785-8324.

177 Broad Street, 12th Floor, Stamford, CT 06901