

## Installation Instructions: Eco Area Light

---

### Key Features



Eco Area Light

- Outdoor illumination applications
- Wet-location-rated IP67 housing for outdoor use
- 1-10V dimming
- 4-kV Surge protector (standard)
- Dusk-to-Dawn photocell models available
- No mercury or UV
- 70,000-hour rated life (L<sub>70</sub>)
- DLC-Premium
- UL, cUL, RoHS
- Instant on/off

### Installation Notes & Precautions

- *Read all precautions, warnings, instructions contained in this document.*
- Installation should be performed by a qualified electrician or installer.
- Operating voltages: 120–277VAC, 347-480VAC
- This light source is not intended as an emergency exit fixture or light.
- Operating temperature range: -40 °F to 113 °F

### Warnings



**Risk of fire or electric shock. Do not alter, relocate, or remove wiring, or any other electrical component. If necessary, contact a qualified electrician for assistance.**



**Always disconnect power for your safety when performing the luminaire modification steps below! In some cases, it may be necessary to test the power feed with the power connected. Only connect the power when doing the testing, then disconnect the power from the luminaire when performing the steps below.**



**Always follow local and regional NEMA Electrical codes. NEMA codes provide information on proper procedures, safety guidelines, proper tools, connection methods, and specifications on materials.**



**Revolution Lighting Technologies, Inc. cannot and will not be liable for any modifications or results of modifications to electrical devices or luminaires. These instructions are provided as a reference. By using the included instructions, you are solely responsible for following all applicable electrical safety procedures, codes, methods, and materials. If you are unsure about any electrical modification or installation, please consult a licensed electrician or electrical contractor in your area.**

## Contents

Carefully open the box and check contents. Contact Revolution Lighting if any items are missing.

Qty. 1	Eco Area Light [SKU # (as ordered)]	Eco Area Light, with dusk-to-dawn photocell, if ordered
-----------	--	---

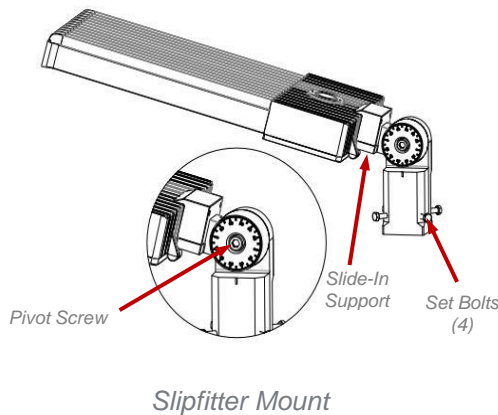
## Eco Area Light Installation Instructions

### STEP 1 – Power Off

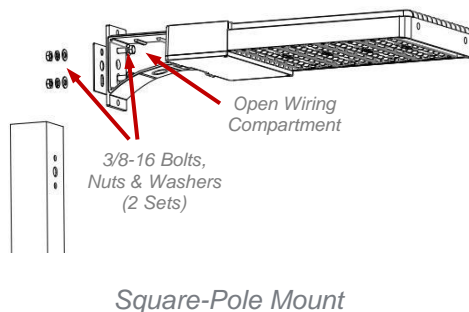


- Disconnect power to installation site.  
**WARNING: Ensure that all power is off using a voltmeter or other method.**
- Remove existing fixture, if applicable, and dispose of it according to job/company site rules and regulations.

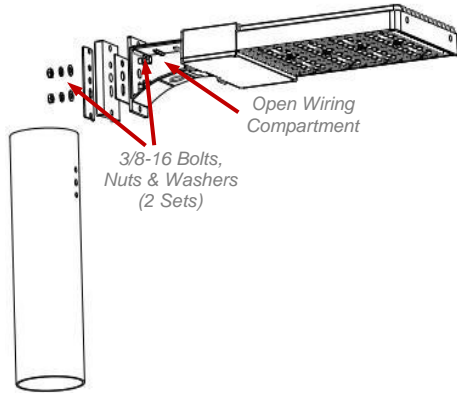
### STEP 2 – Mounting & Wiring



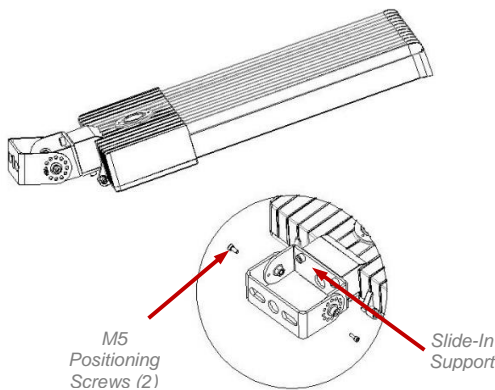
- ADJUSTABLE SLIPFITTER MOUNTING
- Feed the electrical cord from the Eco Area Light through the wire channel of Slipfitter Mount.
  - Attach Slide-In Support of the Slipfitter Mount to the Eco Area Light using the two (2) included hex bolts.
  - Using appropriate wire nuts, splice the incoming hot (black), neutral (white), and ground (green) wires to the corresponding power leads of the LED driver.  
**CAUTION: Wire colors can vary, depending on code and circumstances. Make sure that hot, neutral, and ground wires are correctly identified.**
  - To enable 1-10V dimming, splice orange (-) and red (+) dimming wires from driver to the corresponding dimming-control wires.
  - Back-off the Set Bolts (4 places) on Slipfitter Mount enough to slip it onto a standard 2 3/8" light pole or tenon.
  - Slide the Slipfitter Mount and Eco Area Light onto the pole and tighten the Set Bolts to secure.
  - Loosen Pivot Screw, adjust fixture to desired angle, and retighten Pivot Screw.



- SQUARE-POLE MOUNTING
- Using a Phillips screwdriver, remove cover plate on Square-Pole Mount to access wiring compartment.
  - Feed the electrical cord from the Eco Area Light through the wire channel and into compartment of Square-Pole Mount.
  - Attach Slide-In Support of the Square-Pole Mount to the Eco Area Light using the two (2) included hex bolts.
  - Feed power leads into compartment of Square-Pole Mount.
  - Using appropriate wire nuts, splice the incoming hot (black), neutral (white), and ground (green) wires to the corresponding power leads of the LED driver.  
**CAUTION: Wire colors can vary, depending on code and circumstances. Make sure that hot, neutral, and ground wires are correctly identified.**
  - To enable 1-10V dimming, splice orange (-) and red (+) dimming wires from driver to the corresponding dimming-control wires.
  - Securely attach Eco Area Light to square pole using included 3/8-16 bolts and hardware.
  - Replace cover plate of wiring compartment.



Round-Pole Mount



Trunnion Mount

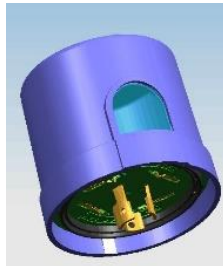
#### ROUND-POLE MOUNTING

- Using a Phillips screwdriver, remove cover plate on Round-Pole Mount to access wiring compartment.
- Feed the electrical cord from the Eco Area Light through the wire channel and into compartment of Round-Pole Mount.
- Attach Slide-In Support of the Round-Pole Mount to the Eco Area Light using the two (2) included hex bolts.
- Feed power leads into compartment of Round-Pole Mount.
- Using appropriate wire nuts, splice the incoming hot (black), neutral (white), and ground (green) wires to the corresponding power leads of the LED driver in the wiring compartment.  
**CAUTION: Wire colors can vary, depending on code and circumstances. Make sure that hot, neutral, and ground wires are correctly identified.**
- To enable 1-10V dimming, splice orange (-) and red (+) dimming wires from driver to the corresponding dimming-control wires.
- Securely attach Eco Area Light to round pole using included 3/8-16 bolts and hardware.
- Replace cover plate of wiring compartment.

#### ADJUSTABLE TRUNNION MOUNTING

- Feed the electrical cord from the Eco Area Light through wire holes in the center of Trunnion Mount.
- Attach Slide-In Support of the Trunnion Mount to the Eco Area Light using the four (4) included hex bolts.
- Using appropriate wire nuts, splice the incoming hot (black), neutral (white), and ground (green) wires to the corresponding power leads of the LED.
- **CAUTION: Wire colors can vary, depending on code and circumstances. Make sure that hot, neutral, and ground wires are correctly identified.**
- To enable 1-10V dimming, splice orange (-) and red (+) dimming wires from driver to the corresponding dimming-control wires.
- Securely attach Trunnion Mount to wall or surface using appropriate anchors/bolts (not included).
- Remove the two (2) M5 Positioning Screws, adjust fixture to desired angle, and reinstall the Positioning Screws to lock position of trunnion.

### STEP 3 – Install Photocell or Shorting Cap



- If ordered with photocell, install photocell (or shorting cap) in the included receptacle by twisting it ¼-turn until it locks into place.
- Outdoor photocells work best when the window is oriented northward (in the Northern Hemisphere).

### STEP 4 – Power On



- Switch power back on to installation site.