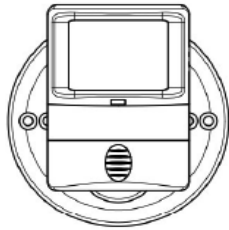


Specifications and Installation: RNET-OCC-HV-P-WM Passive Infrared Line Voltage Occupancy Sensor



SPECIFICATIONS

Voltage.....	120VAC, 50/60Hz
Maximum Load	
Electronic Ballast	800VA
Resistive.....	800 W
Tungsten	800W
Motor.....	1/4HP
Adjustable Time Delay.....	15 seconds to 30 minutes.
Range.....	25% to 100%
PIR Coverage	1000 ft2
Operation Temperature	32° to 131°F (0° to 55° C)

DESCRIPTION

The RNET-OCC-HV-P-WM passive infrared (PIR) occupancy sensors turn lighting on and off based on occupancy and ambient light levels. The light level feature keeps lights from turning on if the ambient light level is sufficient.

The sensors can be configured to turn lighting on, and hold it on as long as PIR technology detects occupancy. After no movement is detected for the selected time delay, the lights switch off.

COVERAGE PATTERN

The RNET-OCC-HV-P-WM provides an elliptical coverage pattern (see Figure 1). The coverage shown represents walking motion at a mounting height of 10 feet. The maximum coverage will be up to 1000 ft² with a largest distance of 15 meters. For building spaces with lower levels of activity or with obstacles and barriers, coverage size may decrease.

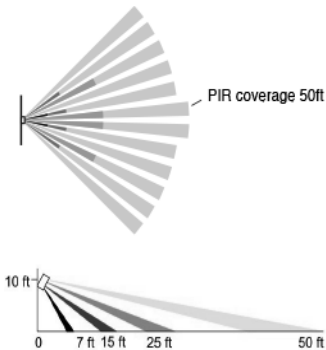


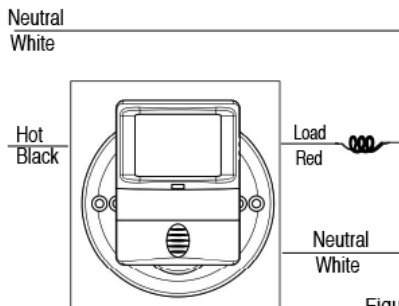
Figure 1

**WARNING: TURN OFF THE CIRCUIT BREAKER BEFORE INSTALLATION.
INDOOR USE ONLY. DO NOT EXCEED ELECTRICAL RATINGS.**

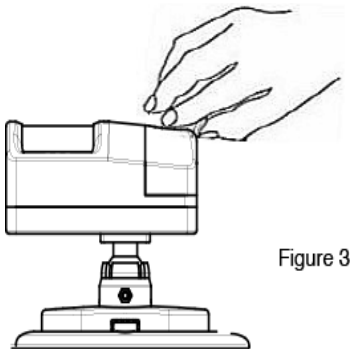
INSTALLATION

1. Make sure that the power has been turned OFF at the circuit breaker.
2. Connect lead wires as WIRING DIAGRAM (see Figure 2): Black lead to Line (Hot), Red lead to Load wire, White lead to Neutral wire.

Wiring Diagram:



3. Mount device up to walls or ceilings.
4. Gently position wires in wall/octagon box
 - a. Attach the sensor switch to the box, and fix it to the wall/ceiling with two screws or
 - b. Attach the sensor switch to the mounting yoke with wires through its central hole, and fix the yoke to the wall/ceiling
5. Restore power at circuit breaker or fuse, wait one minute.
6. Remove the small cover plate (Illustrated in Figure 3).
7. Locate the adjustment knob on the control panel to perform test and adjustment (Illustrated in Figure 3 and 4).
8. Replace the small cover plate after testing and adjustment.



ADJUSTMENT

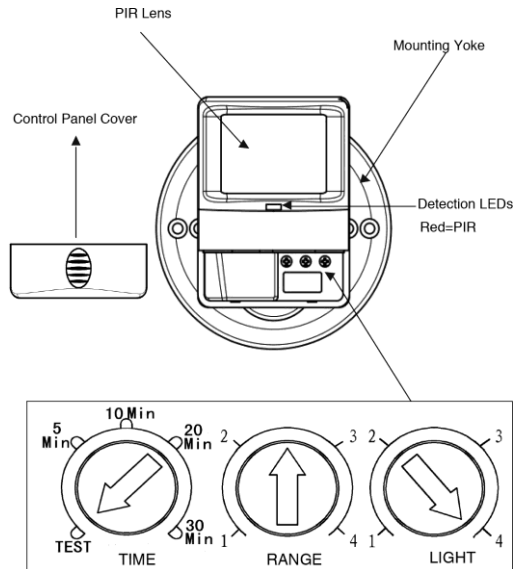


Figure 4

TIME Adjustment Trimpot

Default position: Time (Test at position 1)

Adjustable: 15 seconds to 30 minutes (clockwise)

PIR Adjustment Knob

Default position: Center

Note: Turn toward right for greater room space.

Turn toward left to avoid false alert in smaller room and near the door way or heat source.

Ambient Light Level Adjustment Trimpot

Default position: Daylight (100% at position 4)

Adjustable: Clock wise



OPERATION

The Sensor Switch is programmed for Occupancy Mode only.

Automatic Turning On/Off the Load

Once the power is on, the load will be turned on according to the occupancy settings. The sensor time delay operates as programmed. When the load turns off due to the lack of motion detection, the load can be turned on again by occupancy detection or switch activation.

The Sensor keeps the load on until no motion is detected plus the set time delay, load(s) will be turned off automatically.

TROUBLESHOOTING

WARNING: TURN OFF THE POWER AT THE CIRCUIT BREAKER BEFORE INSTALLATION. LIGHTS DO NOT TURN ON WITH OCCUPANCY, AND THE FOLLOWING CONDITION EXISTS:

PIR Activity LED does not flash:

NOTE: When power is initially applied to the sensor, there is a warm-up period of up to 1 minute before the LED is active.

1. Check that the circuit breaker or any wall switch connected to the sensor has been turned back on.
2. Make sure that the PIR Sensitivity is set for Max.
3. Make sure the wire is connected right.

PIR Activity LED flashes:

1. If the sensor's Light Level has been turned to minimum (at position 1), the lights connected to the light level output might be held off because of the level of ambient light in the controlled area. To test whether the Light Level adjustment is the problem, cover the PIR lens and PIR Activity LED with your hand to see if the lights turn on. If the lights turn on, the Light Level setting was keeping the lights off (see, "Sensor Adjustment" for readjustment).
2. Make sure the wire is connected right.

Lights do not turn off automatically:

1. The sensor may be experiencing activations from outside the controlled or from some type of interference (see "Unwanted Sensor Activations" below).
2. Make sure the wire is connected right.



WARRANTY INFORMATION

If within two (2) years from the date of purchase, this product fails due to a defect in material or workmanship, we will repair or exchange it, at its sole option free of charge. This warranty does not apply to:

- a. Damage to units caused by accident, dropping or abuse in handling, acts of God or any negligent use
- b. Units which have been subject to un-authorized repair, opened, taken apart or otherwise modified
- c. Unit not used in accordance with instruction
- d. damages exceeding the cost of the product
- e. Finish on any portion of the product, such as surface and weathering, as this is considered normal wear and tear
- f. Transit damage, initial installation costs, removal costs, or rein-installation costs

This warranty service is available by returning the product with proof of purchase, purchase date and a description of the problem to the dealer from whom the unit was purchased.