

Specification Sheet: rNET-OCC-PP Power Pack

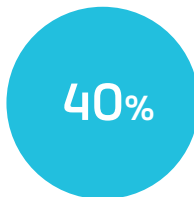
Cost-Effective and Secure Control

The RNET-OCC-PP power pack is the foundation for any low voltage lighting control system. The RNET-OCC-PP supplies low voltage power to occupancy sensors and other control devices, switching line voltage in response to signals from control devices. The RNET-OCC-PP power pack is attached to existing junction boxes or mounted into fixture wiring trays. Low voltage wiring should use at least 22-gauge wire. High voltage connections should use at least 14-gauge. Always check local building codes. After initial wiring is completed, check wiring diagrams to verify the power pack is wired correctly. Improper wiring can cause damage to the power pack, lighting system, occupancy sensor and other control devices.

APPLICATIONS

- Offices
- Hallways
- Classrooms
- Restrooms
- Locker Rooms
- Conference Rooms
- Warehouses
- Lecture Halls
- Gymnasiums
- Utility Rooms
- Data Centers
- Kitchen Areas

CAN DECREASE ENERGY USAGE BY



vs. Unsensored Lighting

WARRANTY



Our Industry-Leading 2-Year Limited Warranty Guarantees Unsurpassed Quality

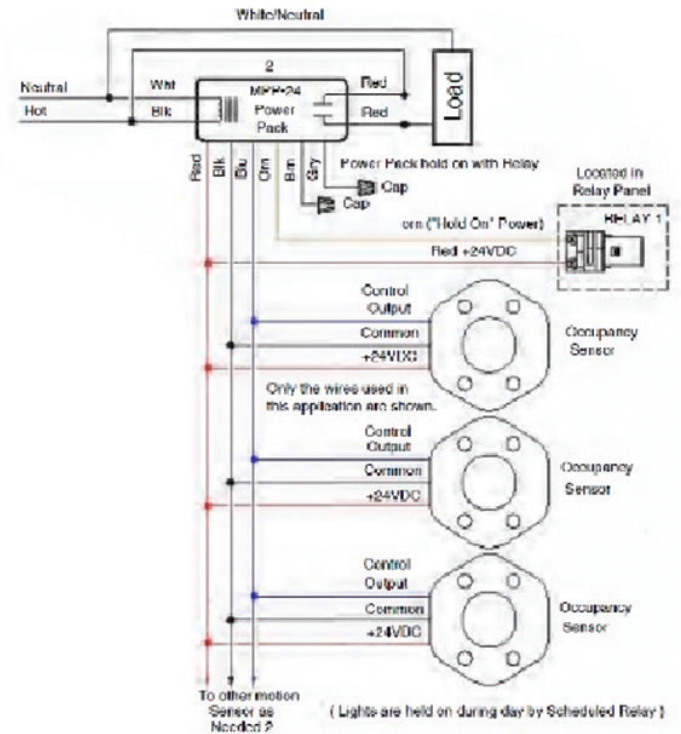
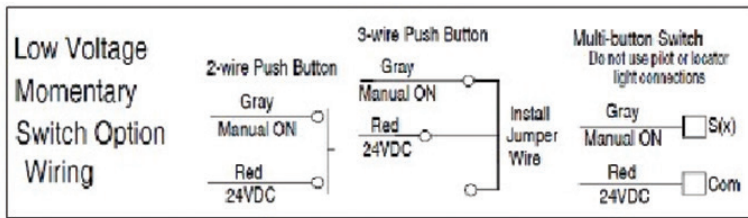
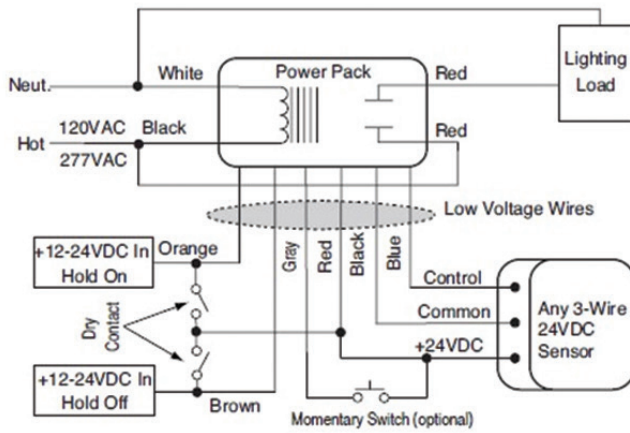
PRODUCT BENEFITS

- Self-contained power supply relay system
- LED indicator of relay operation for easy verification
- Convert line voltage to low voltage in various lighting control systems
- Able to link up to six sensors at a time



Specification Sheet: rNET-OCC-PP Power Pack

WIRING DIAGRAMS



WIRE COLOR CODE:

- Black Line
- White Neutral
- Red Load
- Blue Control
- Orange Hold ON
- Gray Manual ON
- Brown Hold OFF