

Specification Sheet: rNET Occupancy/Vacancy Sensors

Cost-Effective and Secure Control

Enhance building control and efficiency with Revolution Lighting's rNET indoor occupancy and vacancy sensors. With up to 1,600 feet of coverage, our revolutionary sensors are easy to install, providing a flexible solution to ensure lights are on only when needed throughout offices, conference rooms, and file/storage areas to improve energy performance by up to 50%.

With ceiling or wall mount options, rNET sensors feature innovative and superior functionality, using both Passive Infrared (PIR) or UltraSonic+PIR (DT-Dual Tech) technology. Combined with a market-leading 5-year limited warranty, integration of our advanced control solution with your lighting systems will optimize energy operational performance.

APPLICATIONS

- Offices
- Hallways
- Classrooms
- Restrooms
- Locker Rooms
- Conference Rooms
- Warehouses
- Lecture Halls
- Gymnasiums
- Utility Rooms
- Data Centers
- Kitchen Areas

CAN DECREASE ENERGY USAGE BY



vs. Unsensor
Lighting

WARRANTY



rNET-OCC-LV-P-CM/
rNET-OCC-HV-P-CM



rNET-OCC-LV-DT-CM/
rNET-OCC-HV-DT-CM



rNET-OCC-PP



rNET-OCC-HV-P-FM



rNET-OCC-LV-P-WM/
rNET-OCC-HV-P-WM



rNET-OCC-LV-DT-WM/
rNET-OCC-HV-DT-WM



rNET-OCC-HV-DT-WS



rNET-OCC-HV-P-WS



rNET-OCC-W-P-CM



rNET-OCC-W-P-WM



PRODUCT BENEFITS

- Support for different light levels (0-100%) on occupancy and vacancy events with rNET platform
- Usable in stand-alone configuration or with rNET platform
- Use of both PIR and Ultrasonic technology ensures most accurate detection of human presence
- Low voltage (24V wet contact) or high voltage (120-277VAC universal input)
- Meets ASHRAE, IECC and CA-T24 energy code standards
- Remote on/off/status, data analytics & configurability available through rNET control platform
- Adjustable sensitivity/configuration (stand alone – screwdriver) (rNET – software)

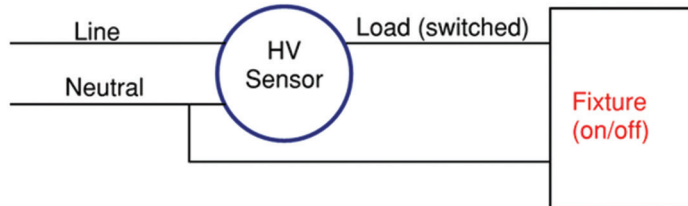
ORDER LOGIC (Ex. rNET-OCC-LV-P-CM)

| Product Description | Voltage | Detection Type | Installation |
|---|---|---|---|
| rNET-OCC = Revolution Network Controls Occupancy/Vacancy Sensor | LV = Low Voltage (24VDC) (0-100% with rPDG) | - P = Passive Infrared Only | - CM = Ceiling Mount - WM = Wall Mount |
| | | - DT = Passive infrared and Ultrasonic | - CM = Ceiling Mount - WM = Wall Mount |
| | HV = High Voltage (120-277VAC) (On/Off) | - P = Passive Infrared Only | - CM = Ceiling Mount - WM = Wall Mount - WS = Wall Switch - FM = Fixture Mount |
| | | - DT = Passive infrared and Ultrasonic | - CM = Ceiling Mount - WM = Wall Mount - WS = Wall Switch |
| W = Wireless, Battery Powered (7 yrs) | - P = Passive Infrared Only | - CM = Ceiling Mount - WM = Wall Mount | |

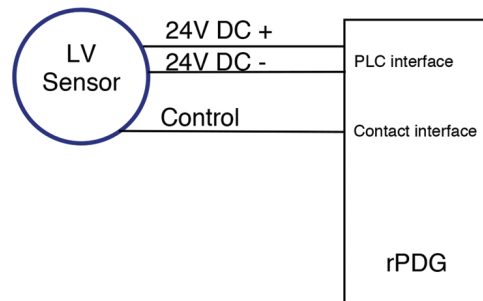
Specification Sheet: rNET Occupancy/Vacancy Sensors

WIRING DIAGRAMS

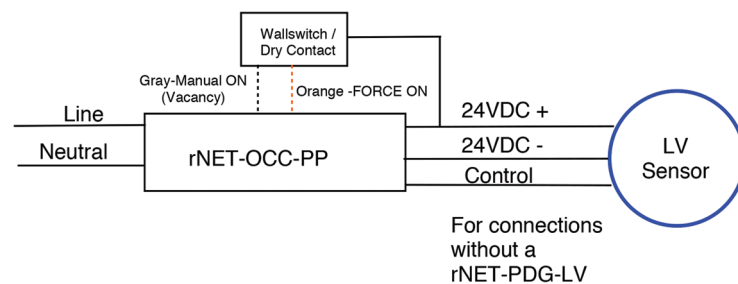
HV Sensor



LV Sensor



LV Sensor (with PP and rNET-PDG-LV)



W Sensor

