

Specification Sheet: Ex-Fit Type-C T8 LED Tube Lamp Kit

Retrofitting is Easy with our Energy Efficient LED Tubes

Our Ex-Fit Type-C T8 LED Tube Lamp Kits offer a simple, dimmable, energy-efficient solution for outdated fluorescent lighting. Each UL Type-C LED lamp kit comes with a matched driver customized for 1-, 2-, 3-, and 4-tube luminaires. Just swap out your fluorescent ballast and tubes with our LED driver and tubes, and start saving energy and money. These lightweight, shatterproof LED tube lamps can decrease your energy usage by as much as 60% and feature advanced "Nano" polycarbonate lenses for uniform light distribution.

The low-voltage lamp design allows for easy installation in a single-end-power (SEP) OR double-end-power (DEP) wiring configuration, and the 0-10V dimmable external driver operates from 120VAC to 277VAC. With an industry-leading rated lifetime of 50,000 hours, our Ex-Fit Type-C T8 LED Tube Lamp Kit is also backed by a 10-year warranty. See Order Logic table below for our TAA-compliant products.

APPLICATIONS

- Offices & Commercial Buildings
- Retail Settings
- Hotels
- Schools
- Hospitals
- Warehouses
- Assisted Living Facilities
- Parking Garages
- Recreation Centers
- Food Processing Centers

ILLUMINATION ANGLE

170°

As tested in DLC-approved fixture

CAN DECREASE ENERGY USAGE BY

60%

vs. Similar Fluorescent Lamps

WARRANTY



Our Industry-Leading 10-Year Limited Warranty Guarantees Unsurpassed Quality

PRODUCT BENEFITS

OPERATIONAL

- Very high efficacies up to 146 lm/W
- 0-10V dimming
- 3X greater lamp life than fluorescent
- Industry-leading 10-year warranty
- 50,000 hour lamp life and eliminated ballast reduce long-term maintenance costs
- Instant on, no warm-up time

SAFETY

- No glass
- Negligible light depreciation over time
- Superior light output
- Includes external driver to power LED tube
- These UL Type-C tube lamps are tested to comply with UL 1598C

SUSTAINABILITY

- Lack of UV minimizes concerns with fading or discoloration
- Mercury-free, allowing for non-hazardous disposal
- 100% recyclable



ORDER LOGIC (Ex. LVED-48-15.5-N-30-2 or LVED-48-15.5-N-30-2-A)

Product Description	Length (in.)	Wattage	Lens	CCT (K Temp)	Tube No.	TAA
LVED = Low-Voltage External Driver	24 = 24 in.	10.5 = 10.5W	N = Nano (Polycarbonate)	30 = 3000K	1 = Single Tube	Blank = Standard (non-TAA) A = TAA (Trade Agreements Act)
	36 = 36 in.	12 = 12W		35 = 3500K	2 = Two Tubes	
	48 = 48 in.	12 = 12W 15.5 = 15.5W		40 = 4000K 50 = 5000K	3 = Three Tubes 4 = Four Tubes	



Specification Sheet: Ex-Fit Type-C T8 LED Tube Lamp Kit

TECHNICAL DATA (Subject to change)

Catalog No.	Product SKU No.	TAA Option *	Rated Watts (per kit)	Lens	Base	Color Temp (K)	Drive Input Voltage (VAC)	Rated Lumens	Rated Efficacy (lm/W)	CRI	Illumination Angle	Rated Lifetime (Hours)	Operating Temp. (°F)	SEP/DEP Power
2-foot 10.5W, Low-Voltage External-Driver LED Tube, Single-Tube Kit														
LVED-24-10.5-N-30-1	202420-211	Yes	10 (Kit: 10 x 1)	Nano	G13	3000	120-277	1,340 (Kit: 1,340 x 1)	133	82	170	50,000	-4 to 113	•
LVED-24-10.5-N-35-1	202420-212	Yes	10.2 (Kit: 10.2 x 1)	Nano	G13	3500	120-277	1,363 (Kit: 1,363 x 1)	133	82	170	50,000	-4 to 113	•
LVED-24-10.5-N-40-1	202420-213	Yes	10.2 (Kit: 10.2 x 1)	Nano	G13	4000	120-277	1,386 (Kit: 1,386 x 1)	136	82	170	50,000	-4 to 113	•
LVED-24-10.5-N-50-1	202420-215	Yes	10.3 (Kit: 10.3 x 1)	Nano	G13	5000	120-277	1,431 (Kit: 1,431 x 1)	138	83	170	50,000	-4 to 113	•
2-foot 10.5W, Low-Voltage External-Driver LED Tube, Two-Tube Kit														
LVED-24-10.5-N-30-2	202421-211	Yes	20 (Kit: 10 x 2)	Nano	G13	3000	120-277	2,680 (Kit: 1,340 x 2)	133	82	170	50,000	-4 to 113	•
LVED-24-10.5-N-35-2	202421-212	Yes	20.4 (Kit: 10.2 x 2)	Nano	G13	3500	120-277	2,726 (Kit: 1,363 x 2)	133	82	170	50,000	-4 to 113	•
LVED-24-10.5-N-40-2	202421-213	Yes	20.4 (Kit: 10.2 x 2)	Nano	G13	4000	120-277	2,772 (Kit: 1,386 x 2)	136	82	170	50,000	-4 to 113	•
LVED-24-10.5-N-50-2	202421-215	Yes	20.6 (Kit: 10.3 x 2)	Nano	G13	5000	120-277	2,862 (Kit: 1,431 x 2)	138	83	170	50,000	-4 to 113	•
2-foot 10.5W, Low-Voltage External-Driver LED Tube, Three-Tube Kit														
LVED-24-10.5-N-30-3	202422-211	Yes	30.3 (Kit: 10.1 x 3)	Nano	G13	3000	120-277	4,047 (Kit: 1,349 x 3)	133	80	170	50,000	-4 to 113	•
LVED-24-10.5-N-35-3	202422-212	Yes	30 (Kit: 10 x 3)	Nano	G13	3500	120-277	4,083 (Kit: 1,361 x 3)	134	80	170	50,000	-4 to 113	•
LVED-24-10.5-N-40-3	202422-213	Yes	30 (Kit: 10 x 3)	Nano	G13	4000	120-277	4,122 (Kit: 1,374 x 3)	136	80	170	50,000	-4 to 113	•
LVED-24-10.5-N-50-3	202422-215	Yes	30 (Kit: 10 x 3)	Nano	G13	5000	120-277	4,194 (Kit: 1,398 x 3)	139	80	170	50,000	-4 to 113	•
2-foot 10.5W, Low-Voltage External-Driver LED Tube, Four-Tube Kit														
LVED-24-10.5-N-30-4	202423-211	Yes	40 (Kit: 10 x 4)	Nano	G13	3000	120-277	5,320 (Kit: 1,330 x 4)	132	82	170	50,000	-4 to 113	•
LVED-24-10.5-N-35-4	202423-212	Yes	40 (Kit: 10 x 4)	Nano	G13	3500	120-277	5,372 (Kit: 1,343 x 4)	134	82	170	50,000	-4 to 113	•
LVED-24-10.5-N-40-4	202423-213	Yes	40 (Kit: 10 x 4)	Nano	G13	4000	120-277	5,424 (Kit: 1,356 x 4)	135	82	170	50,000	-4 to 113	•
LVED-24-10.5-N-50-4	202423-215	Yes	39.6 (Kit: 9.9 x 4)	Nano	G13	5000	120-277	5,528 (Kit: 1,382 x 4)	138	82	170	50,000	-4 to 113	•
3-foot 12W, Low-Voltage External-Driver LED Tube, Single-Tube Kit														
LVED-36-12-N-30-1	203420-211	Yes	12.1 (Kit: 12.1 x 1)	Nano	G13	3000	120-277	1,701 (Kit: 1,701 x 1)	140	82	170	50,000	-4 to 113	•
LVED-36-12-N-35-1	203420-212	Yes	12.2 (Kit: 12.2 x 1)	Nano	G13	3500	120-277	1,724 (Kit: 1,724 x 1)	141	82	170	50,000	-4 to 113	•
LVED-36-12-N-40-1	203420-213	Yes	12.2 (Kit: 12.2 x 1)	Nano	G13	4000	120-277	1,748 (Kit: 1,748 x 1)	143	82	170	50,000	-4 to 113	•
LVED-36-12-N-50-1	203420-215	Yes	12.2 (Kit: 12.2 x 1)	Nano	G13	5000	120-277	1,748 (Kit: 1,748 x 1)	146	83	170	50,000	-4 to 113	•
3-foot 12W, Low-Voltage External-Driver LED Tube, Two-Tube Kit														
LVED-36-12-N-30-2	203421-211	Yes	24.2 (Kit: 12.1 x 2)	Nano	G13	3000	120-277	3,402 (Kit: 1,701 x 2)	140	82	170	50,000	-4 to 113	•
LVED-36-12-N-35-2	203421-212	Yes	24.4 (Kit: 12.2 x 2)	Nano	G13	3500	120-277	3,448 (Kit: 1,724 x 2)	141	82	170	50,000	-4 to 113	•
LVED-36-12-N-40-2	203421-213	Yes	24.4 (Kit: 12.2 x 2)	Nano	G13	4000	120-277	3,496 (Kit: 1,748 x 2)	143	82	170	50,000	-4 to 113	•
LVED-36-12-N-50-2	203421-215	Yes	24.4 (Kit: 12.2 x 2)	Nano	G13	5000	120-277	3,588 (Kit: 1,794 x 2)	146	83	170	50,000	-4 to 113	•
3-foot 12W, Low-Voltage External-Driver LED Tube, Three-Tube Kit														
LVED-36-12-N-30-3	203422-211	Yes	36.3 (Kit: 12.1 x 3)	Nano	G13	3000	120-277	5,103 (Kit: 1,701 x 3)	140	82	170	50,000	-4 to 113	•
LVED-36-12-N-35-3	203422-212	Yes	36.6 (Kit: 12.2 x 3)	Nano	G13	3500	120-277	5,172 (Kit: 1,724 x 3)	141	82	170	50,000	-4 to 113	•
LVED-36-12-N-40-3	203422-213	Yes	36.6 (Kit: 12.2 x 3)	Nano	G13	4000	120-277	5,244 (Kit: 1,748 x 3)	143	82	170	50,000	-4 to 113	•
LVED-36-12-N-50-3	203422-215	Yes	36.6 (Kit: 12.2 x 3)	Nano	G13	5000	120-277	5,244 (Kit: 1,748 x 3)	146	83	170	50,000	-4 to 113	•
3-foot 12W, Low-Voltage External-Driver LED Tube, Four-Tube Kit														
LVED-36-12-N-30-4	203423-211	Yes	48.4 (Kit: 12.1 x 4)	Nano	G13	3000	120-277	6,804 (Kit: 1,701 x 4)	140	82	170	50,000	-4 to 113	•
LVED-36-12-N-35-4	203423-212	Yes	48.8 (Kit: 12.2 x 4)	Nano	G13	3500	120-277	6,896 (Kit: 1,724 x 4)	141	82	170	50,000	-4 to 113	•
LVED-36-12-N-40-4	203423-213	Yes	48.8 (Kit: 12.2 x 4)	Nano	G13	4000	120-277	6,992 (Kit: 1,748 x 4)	143	82	170	50,000	-4 to 113	•
LVED-36-12-N-50-4	203423-215	Yes	48.8 (Kit: 12.2 x 4)	Nano	G13	5000	120-277	6,992 (Kit: 1,748 x 4)	146	83	170	50,000	-4 to 113	•

Product is DLC listed.

For more information, please contact your Revolution Lighting sales representative.

* When ordering TAA-compliant tubes, include the extension "-A" after the SKU No., as shown in the Order Logic table.

Specification Sheet: Ex-Fit Type-C T8 LED Tube Lamp Kit

TECHNICAL DATA (Subject to change)

Catalog No.	Product SKU No.	TAA Option *	Rated Watts (per kit)	Lens	Base	Color Temp (K)	Drive Input Voltage (VAC)	Rated Lumens	Rated Efficacy (lm/W)	CRI	Illumination Angle	Rated Lifetime (Hours)	Operating Temp. (°F)	SEP/DEP Power
4-foot 12W, Low-Voltage External-Driver LED Tube, Single-Tube Kit														
LVED-48-12-N-30-1	204420-211	Yes	12.2 (Kit: 12.2 x 1)	Nano	G13	3000	120-277	1,656 (Kit: 1,656 x 1)	135	82	170	50,000	-4 to 113	•
LVED-48-12-N-35-1	204420-212	Yes	12.2 (Kit: 12.2 x 1)	Nano	G13	3500	120-277	1,683 (Kit: 1,683 x 1)	137	82	170	50,000	-4 to 113	•
LVED-48-12-N-40-1	204420-213	Yes	12.2 (Kit: 12.2 x 1)	Nano	G13	4000	120-277	1,710 (Kit: 1,710 x 1)	139	82	170	50,000	-4 to 113	•
LVED-48-12-N-50-1	204420-215	Yes	12.3 (Kit: 12.3 x 1)	Nano	G13	5000	120-277	1,763 (Kit: 1,763 x 1)	144	83	170	50,000	-4 to 113	•
4-foot 12W, Low-Voltage External-Driver LED Tube, Two-Tube Kit														
LVED-48-12-N-30-2	204421-211	Yes	24.4 (Kit: 12.2 x 2)	Nano	G13	3000	120-277	3,312 (Kit: 1,656 x 2)	135	82	170	50,000	-4 to 113	•
LVED-48-12-N-35-2	204421-212	Yes	24.4 (Kit: 12.2 x 2)	Nano	G13	3500	120-277	3,366 (Kit: 1,683 x 2)	137	82	170	50,000	-4 to 113	•
LVED-48-12-N-40-2	204421-213	Yes	24.4 (Kit: 12.2 x 2)	Nano	G13	4000	120-277	3,420 (Kit: 1,710 x 2)	139	82	170	50,000	-4 to 113	•
LVED-48-12-N-50-2	204421-215	Yes	24.6 (Kit: 12.3 x 2)	Nano	G13	5000	120-277	3,526 (Kit: 1,763 x 2)	144	83	170	50,000	-4 to 113	•
4-foot 12W, Low-Voltage External-Driver LED Tube, Three-Tube Kit														
LVED-48-12-N-30-3	204422-211	Yes	36.6 (Kit: 12.2 x 3)	Nano	G13	3000	120-277	5,010 (Kit: 1,670 x 3)	136	83	170	50,000	-4 to 113	•
LVED-48-12-N-35-3	204422-212	Yes	36.9 (Kit: 12.3 x 3)	Nano	G13	3500	120-277	5,076 (Kit: 1,692 x 3)	138	83	170	50,000	-4 to 113	•
LVED-48-12-N-40-3	204422-213	Yes	36.9 (Kit: 12.3 x 3)	Nano	G13	4000	120-277	5,139 (Kit: 1,713 x 3)	139	83	170	50,000	-4 to 113	•
LVED-48-12-N-50-3	204422-215	Yes	36.9 (Kit: 12.3 x 3)	Nano	G13	5000	120-277	5,268 (Kit: 1,756 x 3)	143	83	170	50,000	-4 to 113	•
4-foot 12W, Low-Voltage External-Driver LED Tube, Four-Tube Kit														
LVED-48-12-N-30-4	204423-211	Yes	48.8 (Kit: 12.2 x 4)	Nano	G13	3000	120-277	6,668 (Kit: 1,667 x 4)	136	83	170	50,000	-4 to 113	•
LVED-48-12-N-35-4	204423-212	Yes	48.8 (Kit: 12.2 x 4)	Nano	G13	3500	120-277	6,744 (Kit: 1,686 x 4)	138	83	170	50,000	-4 to 113	•
LVED-48-12-N-40-4	204423-213	Yes	48.8 (Kit: 12.2 x 4)	Nano	G13	4000	120-277	6,820 (Kit: 1,705 x 4)	140	83	170	50,000	-4 to 113	•
LVED-48-12-N-50-4	204423-215	Yes	48.8 (Kit: 12.2 x 4)	Nano	G13	5000	120-277	6,972 (Kit: 1,743 x 4)	143	83	170	50,000	-4 to 113	•
4-foot 15.5W, Low-Voltage External-Driver LED Tube, Single-Tube Kit														
LVED-48-15.5-N-30-1	205420-211	Yes	15.4 (Kit: 15.4 x 1)	Nano	G13	3000	120-277	2,112 (Kit: 2,112 x 1)	137	83	170	50,000	-4 to 113	•
LVED-48-15.5-N-35-1	205420-212	Yes	15.4 (Kit: 15.4 x 1)	Nano	G13	3500	120-277	2,141 (Kit: 2,141 x 1)	139	82	170	50,000	-4 to 113	•
LVED-48-15.5-N-40-1	205420-213	Yes	15.4 (Kit: 15.4 x 1)	Nano	G13	4000	120-277	2,169 (Kit: 2,169 x 1)	141	82	170	50,000	-4 to 113	•
LVED-48-15.5-N-50-1	205420-215	Yes	15.4 (Kit: 15.4 x 1)	Nano	G13	5000	120-277	2,226 (Kit: 2,226 x 1)	145	83	170	50,000	-4 to 113	•
4-foot 15.5W, Low-Voltage External-Driver LED Tube, Two-Tube Kit														
LVED-48-15.5-N-30-2	205421-211	Yes	30.8 (Kit: 15.4 x 2)	Nano	G13	3000	120-277	4,224 (Kit: 2,112 x 2)	137	83	170	50,000	-4 to 113	•
LVED-48-15.5-N-35-2	205421-212	Yes	30.8 (Kit: 15.4 x 2)	Nano	G13	3500	120-277	4,282 (Kit: 2,141 x 2)	139	82	170	50,000	-4 to 113	•
LVED-48-15.5-N-40-2	205421-213	Yes	30.8 (Kit: 15.4 x 2)	Nano	G13	4000	120-277	4,338 (Kit: 2,169 x 2)	141	82	170	50,000	-4 to 113	•
LVED-48-15.5-N-50-2	205421-215	Yes	30.8 (Kit: 15.4 x 2)	Nano	G13	5000	120-277	4,452 (Kit: 2,226 x 2)	145	83	170	50,000	-4 to 113	•
4-foot 15.5W, Low-Voltage External-Driver LED Tube, Three-Tube Kit														
LVED-48-15.5-N-30-3	205422-211	Yes	45.9 (Kit: 15.3 x 3)	Nano	G13	3000	120-277	6,327 (Kit: 2,109 x 3)	137	83	170	50,000	-4 to 113	•
LVED-48-15.5-N-35-3	205422-212	Yes	45.9 (Kit: 15.3 x 3)	Nano	G13	3500	120-277	6,393 (Kit: 2,131 x 3)	139	83	170	50,000	-4 to 113	•
LVED-48-15.5-N-40-3	205422-213	Yes	45.9 (Kit: 15.3 x 3)	Nano	G13	4000	120-277	6,459 (Kit: 2,153 x 3)	141	83	170	50,000	-4 to 113	•
LVED-48-15.5-N-50-3	205422-215	Yes	45.9 (Kit: 15.3 x 3)	Nano	G13	5000	120-277	6,588 (Kit: 2,196 x 3)	144	83	170	50,000	-4 to 113	•
4-foot 15.5W, Low-Voltage External-Driver LED Tube, Four-Tube Kit														
LVED-48-15.5-N-30-4	205423-211	Yes	60.8 (Kit: 15.2 x 4)	Nano	G13	3000	120-277	8,308 (Kit: 2,077 x 4)	137	83	170	50,000	-4 to 113	•
LVED-48-15.5-N-35-4	205423-212	Yes	60.4 (Kit: 15.1 x 4)	Nano	G13	3500	120-277	8,432 (Kit: 2,108 x 4)	139	83	170	50,000	-4 to 113	•
LVED-48-15.5-N-40-4	205423-213	Yes	60.4 (Kit: 15.1 x 4)	Nano	G13	4000	120-277	8,556 (Kit: 2,139 x 4)	141	83	170	50,000	-4 to 113	•
LVED-48-15.5-N-50-4	205423-215	Yes	60.4 (Kit: 15.1 x 4)	Nano	G13	5000	120-277	8,800 (Kit: 2,200 x 4)	145	83	170	50,000	-4 to 113	•

Product is DLC listed.

For more information, please contact your Revolution Lighting sales representative.

* When ordering TAA-compliant tubes, include the extension "-A" after the SKU No., as shown in the Order Logic table.

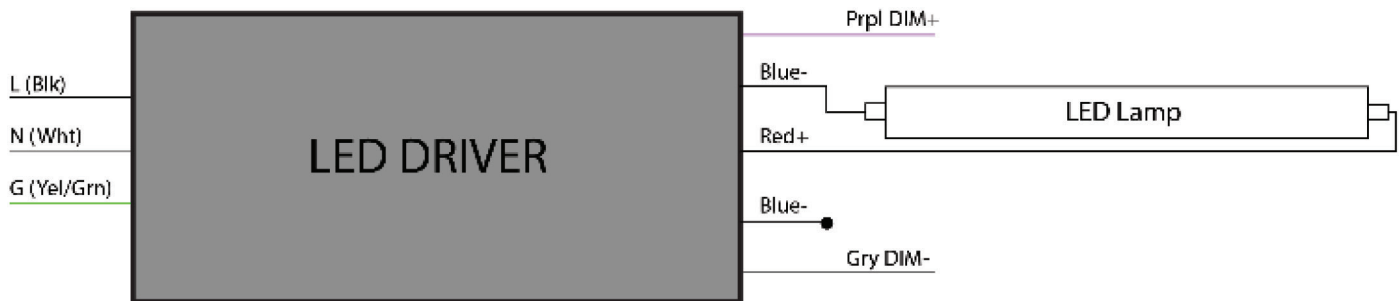
Specification Sheet: Ex-Fit Type-C T8 LED Tube Lamp Kit

PHYSICAL DATA

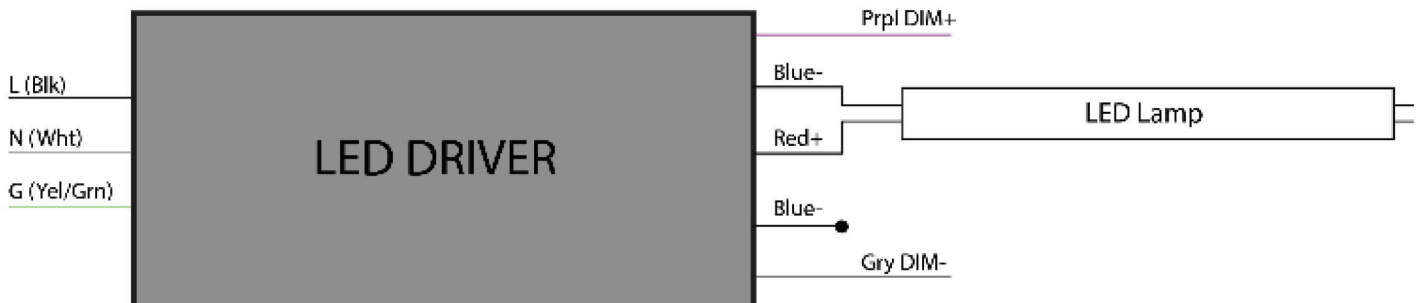
Catalog No.	Product SKU No.	Product Dimensions (in.)	Product Weight (lb)
2-foot 10.5W, Low-Voltage External-Driver LED Tube LVED-24-10.5-N-30-X	20242X-21X	24L x 1 Dia.	0.14
3-foot 12W, Low-Voltage External-Driver LED Tube LVED-36-12-N-30-X	20342X-21X	36L x 1 Dia.	0.22
4-foot 12W, Low-Voltage External-Driver LED Tube LVED-48-12-N-30-X	20442X-21X	48L x 1 Dia.	0.26
4-foot 15.5W, Low-Voltage External-Driver LED Tube LVED-48-15.5-N-30-X	20542X-21X	48L x 1 Dia.	0.26

Note: Product dimensions and weights are for individual LED tube lamps and do not include the driver.

SAMPLE WIRING CONFIGURATIONS



DEP Wiring Configuration



SEP Wiring Configuration