

IMPORTANT SAFEGUARDS

When using electrical equipment, basic safety precautions should always be followed including the followings:

READ AND FOLLOW ALL SAFETY INSTRUCTIONS

1. To prevent high voltage from being present on the purple and blue output leads prior to installation. The EM-H series connector must be open. Join the unit connector after the EM-H series has been installed and before the AC power is supplied.
2. Make sure all connections are in accordance with the National Electrical Code or any local regulations.
3. To reduce the risk of electric shock, disconnect both normal and auxiliary power supplies and unit connector of the EM-H series before servicing.
4. An AC power source(100-277VAC,50/60Hz) ahead of any wall switch is required to provide battery charging current.
5. Do not install near gas or electric heaters.
6. This product is for use with indoor or damp locations where ambient temperature is (0°C to 50 °C). It is not suitable for wet or hazardous locations.
DO NOT USE OUTDOOR.
For use with grounded, UL Listed, damp location rated, indoor fixtures and case should be grounding.
The drivers are intended for ordinary locations and for permanent installation into one or more Listed emergency luminaires.
This equipment has not been investigated for use in an air handling fixture.
Do not use in heated air outlets or hazardous locations.
7. This is a sealed unit. Integral battery is not replaceable. Replace entire unit when necessary.
8. The use of accessory equipment not recommended by the manufacturer may cause an unsafe condition.
9. Servicing should be performed by qualified service personnel.
10. Equipment should be mounted in locations and at heights where it will not be subjected to tampering by unauthorized personnel. Indicator light should be mounted can see location.
11. Equipment only use for LED lighting emergency backup. Do not use this equipment for other than its intended use.
12. The weight of the equipment should be considered before installation, and the weight of each model is shown in FORM1

13. The equipment must be used for normal use of the matching luminaires.

DLC website: <https://www.designlights.org/search>

Energy star fixture website:

<https://www.energystar.gov/productfinder/product/certified-light-fixtures/results>

Follow industry standard by utilizing available .ies files and lighting design software for your dedicated emergency luminaires, with the above calculated emergency lumens, and validate your as-installed plans in accordance with the applicable life safety codes governing your project.

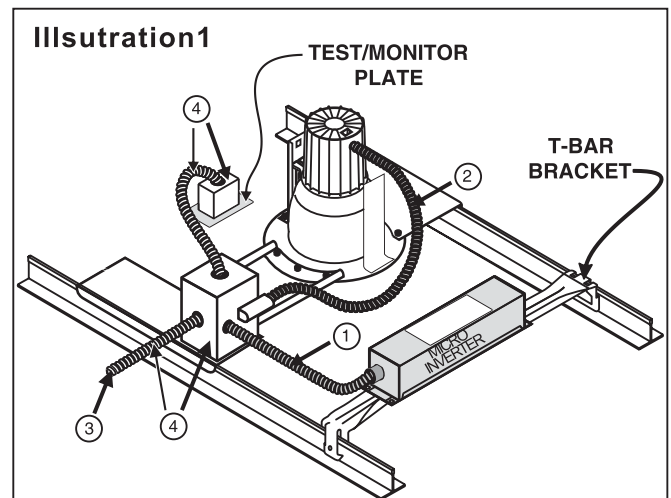
While the EM-H series has been found compliant with the requirements of UL 924, it is ultimately the responsibility of the Designer/Specifier to assure the as-installed system delivers code-compliant path of egress illumination in accordance with Federal, State, or local municipal requirements.

CAUTION - This emergency battery pack for use LED lamp or LED fixture. Suitable voltage of LED fixture is AC100-120V. This emergency battery pack is suitable for fixture power less than or equal to rating of emergency battery pack.

1. Mounting Methods

Mounting Method 1: Emergency backup outside lighting with flexible conduit.

The T-BAR mounting bracket assembly is sold separately and is available from the factory as an accessory kit (TG2). Call your local distributor or the factory for complete information.



The T-BAR mounting bracket assembly is sold separately and is available from the factory as an accessory kit (TG2). Call your local distributor or the factory for complete information.

- ①-Flexible conduit (supplied) to connect AC driver wires.
- ②-Existing conduit to run existing wires to lamp holder.
- ③-AC line in.
- ④-Conduit and junction box (not supplied).

SAVE THESE INSTRUCTIONS



This product contains a rechargeable lithiumion battery.

THE BATTERY MUST BE RECYCLED OR DISPOSED OF PROPERLY TO PREVENT FIRE.

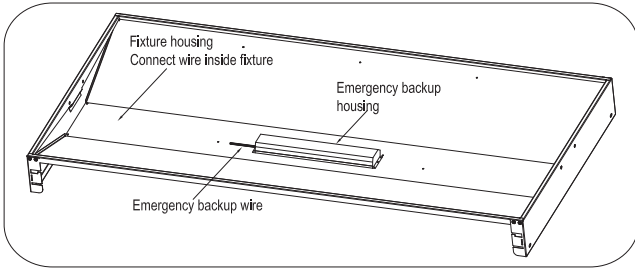
INSTALLATION INSTRUCTIONS



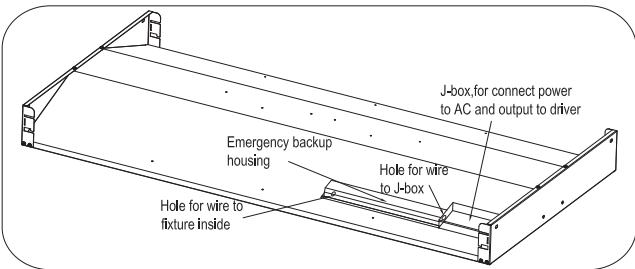
CAUTION: Before installing, make certain the A.C.power is off and the LED lamp emergency backup unit connector is disconnected.

NOTE : Make sure that the necessary branch circuit wiring is available. An unswitched source of power is required. The unswitched and switched power source must be fed from the same branch circuit.

Mounting Method 2: Emergency backup inside lighting without flexible conduct.



Mounting Method 3: Emergency backup outside lighting without flexible conduct.



2. INSTALLING THE EMERGENCY EQUIPMENT

NOTE:

- >The EM-H series will be located between the AC power sources and the AC driver as shown in wiring diagram section of instructions.
- >The EM-H series may be installed in close proximity to the fixture or remote from the fixture.
- >The maximum remote distance using 16AWG wire is 250ft. Contact the factory for more information.
- >The AC power is fed to the EM-H series.
- >The AC driver receives power from the EM-H series. Identify the output wires of the EM-H series by the presence of the purple and blue leads.

STEP 1: DISCONNECT AC POWER FROM FIXTURE

- >Disconnect all power sources from lighting fixture and ensure they are locked out during installation or maintenance.
- >Disconnect power leads from the AC driver.
- >Select a suitable location for the EM-H series and install such that its output leads can connect to the input leads of the AC driver.
- >See Illustration 1, for typical installation and select appropriate mounting method.

STEP 2: WIRING THE EM-H SERIES

- >Use the wiring diagram found as reference.
- >Connect the AC power source leads to the input of the EM-H series
- >Connect the output leads of the EM-H series to the AC driver.
- >Wire the AC driver with the lamp in accordance with manufactures installation instructions.
- >Make sure all connections are in accordance with the National Electrical Code, and any local regulations.
- >In a readily visible location, attach the label "CAUTION-This Unit Has More than one power connection point. To reduce the risk of electric shock, Disconnect both the branch circuit-breakers or fuses and the EM-H series connector supply before servicing."

STEP 3: MOUNTING THE TEST ACCESSORIES

- >Gray wire and red wire of emergency backup into the switch box.
- >Connect same color the gray wire and red wire of indicator light, fix the panel switch to switch box.
- >The indicator light and test switch maybe mount into fixture.

STEP 4: JOIN THE EM-H SERIES CONNECTOR & APPLY POWER

- >After installation is complete, join the EM-H series connector and apply AC power.
- >At this point, power should be connected to both the AC driver and the EM-H series and the Charging Indicator Light should illuminate indicating the battery is charging.
- >At short-term discharge test may be conducted after the EM-H series has been charging for 1 hour. Charge for 24 hours before conducting a longterm discharge test. Refer to operation.

OPERATION

During normal operation, AC power is supplied to the AC driver through the EM-H series and charges the battery. The EM-H series AC input line voltage (100-277AC) and automatically sets the output voltage during emergency mode.

When AC power fails, the EM-H series automatically switches to emergency mode, keeping the load illuminated for a minimum of 90 minutes. When AC power is restored, the EM-H series returns to charging mode. The EM-H series consists of a low-battery voltage disconnect which is reset when AC power is restored.

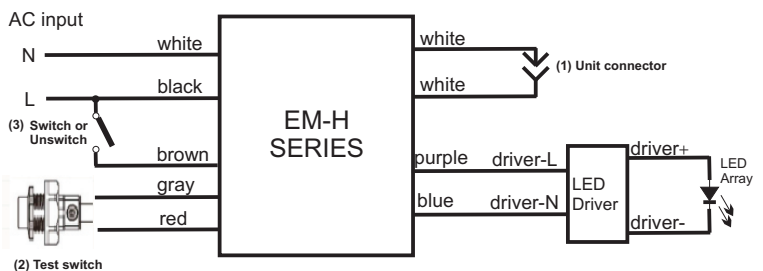
MAINTENANCE

Although no routine maintenance is required to keep the EM-H series functional, it should be checked periodically to ensure that it is working.

The following schedule is recommended:

1. Visually inspect the charging indicator light monthly. It should be illuminated.
2. Test the emergency operation of the fixture at 30-day intervals for a minimum of 30 seconds. The lamp should operate at full illumination.
3. Conduct a 90-minute discharge test once a year. The lamp should operate at full illumination for at least 90 minutes.
4. This red indicator flashes or off, the emergency power supply is abnormal.
5. If the emergency power supply is abnormal after the first installed, please charge for 10 minutes and then check if it is normal.

WIRING DIAGRAM



Note: Make sure the necessary branch circuit wiring is available. An unswitched source of power is required.